



SOLID STATE DEVICES, INC.

14830 Valley View Blvd * La Mirada, Ca 90638
Phone: (562) 404-7855 * Fax: (562) 404-1773

SAM50FA

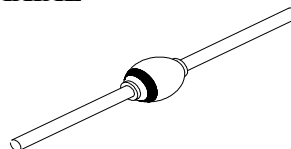
**0.5 AMP
5000 VOLTS
150 nsec
HIGH VOLTAGE
RECTIFIER**

Designer's Data Sheet

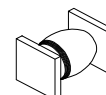
FEATURES:

- Ultra Fast and Fast Recovery: 150 nsec maximum.
- Hermetically Sealed Surface Mount Package
- Void Free Construction
- Metallurgically Bonded
- 175° C Maximum Operating Temperature
- TX, TXV, and Space Level Screening Available

AXIAL



SURFACE MOUNT
SQUARE TAB



Maximum Ratings	SYMBOL	VALUE	UNITS
Peak Inverse Voltage	PIV	5000	Volts
Average Rectified Current 25°C 100°C°	I _O	500 300	mA
Maximum Reverse Current 25°C 100°C	I _R	3.0 15	mA
Maximum Forward Voltage @ I _F = 500mA	V _F	13	Volts
Maximum Surge Current 1 Cycle	I _{FSM}	25	Amps
Maximum Reverse Recovery Time	trr	150	nsec
Maximum Junction Capacitance (fT = 1MHz @ 100 Volts)	C _J	10	pf
Typical Thermal Impedance (L = 3/8")	Θ _{JL} /Θ _{JE}	18	°C/W

NOTES:

1. Operating and testing over 10,000 V/inch may require encapsulation or immersion in a suitable dielectric material
2. Max. forward voltage measured with instantaneous forward pulse of 300usec minimum
3. Max lead/end tab temp. for soldering is 250°C 3/8" from the case for 5 sec maximum
4. Operating and storage temperature: -65°C to +175°C
5. Reverse recovery test conditions: IF = .5A, IR = 1A, IRR = .25A, TA = 25°C

NOTE: All specifications are subject to change without notification.
SCD's for these devices should be reviewed by SSDI prior to release.

DATA SHEET #: RV0033B

SAM50FA

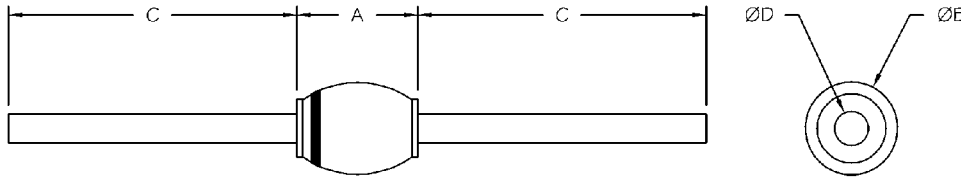


SOLID STATE DEVICES, INC.

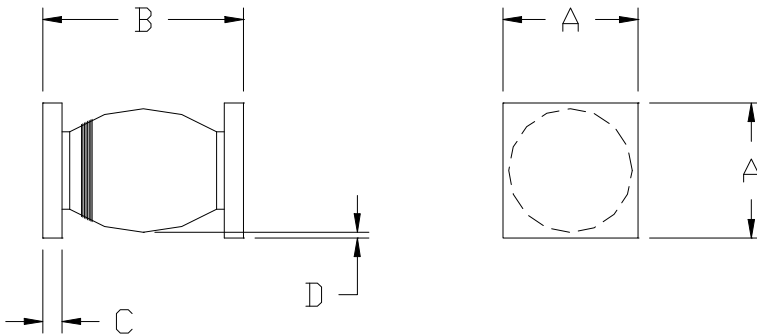
14830 Valley View Blvd * La Mirada, Ca 90638
 Phone: (562) 404-7855 * Fax: (562) 404-1773

CASE OUTLINE:

DIMENSIONS



DIM	MIN.	MAX.
A	---	.425"
B	---	.300"
C	1.10"	---
D	.047"	.05



DIMENSIONS

A	.170"	.205"
B	.290"	.450"
C	.020"	.035"
D	.002"	---

TYPICAL OPERATING CURVES

